
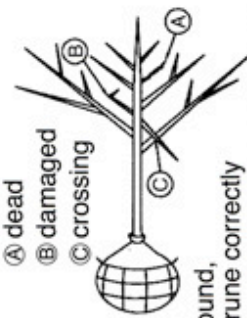


1
How to Plant a B&B Tree
 adapted for
 TREES Inc.
 Terre Haute, IN
<http://www.treesinc.org>
 from work created by
 Joe Shapiro for UC Green
<http://www.ucgreen.org>

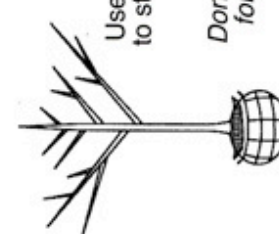
2
Cut and remove:
 • Twine
 • Tags
 • Tree wrap



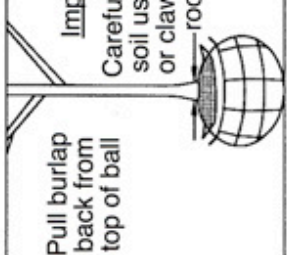
3
Inspect crown for bad branches:
 A dead
 B damaged
 C crossing
 If found, prune correctly



4
 Use hay hooks to stand tree up
 Don't use trunk for leverage



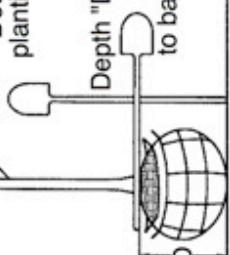
5
Important!
 Carefully remove soil using trowel or claw to locate root flare



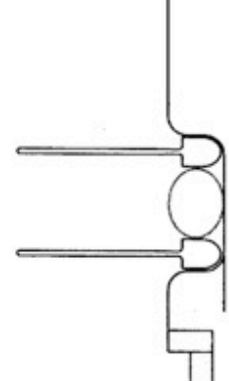
6
 Root flare may be 2" to 10" deep into root ball



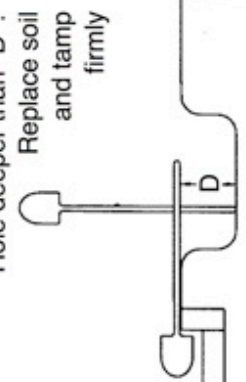
7
 Determine planting depth
 Depth "D" is from root flare to base of ball



8
 Diameter of hole = root ball + 2 shovels



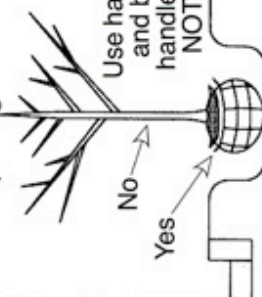
9
 Hole deeper than "D"?
 Replace soil and tamp firmly



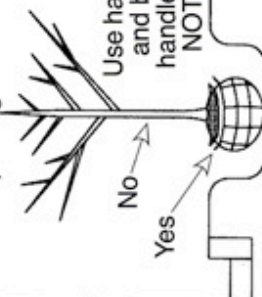
10

 Make sure hole isn't too deep!
 Plant high!

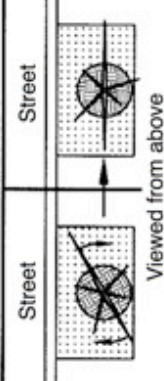
11
 Place tree in hole:
Caution!
 • Do not use trunk as lever
 • 2-3 people needed
 • Use hay hooks
 • Lower gently
 • Do not drop
 • Don't break root ball



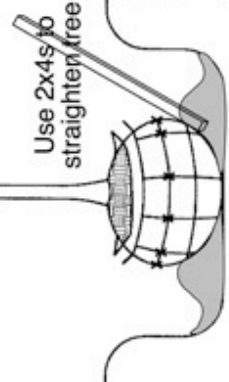
12
 When placing tree in hole:
 Use hay hooks and basket handles only, NOT trunk



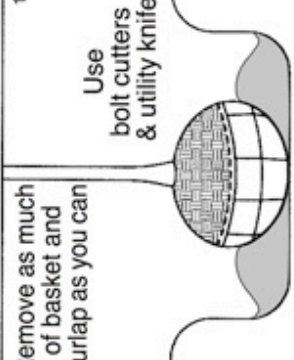
13
 Use hay hooks to rotate ball to align longest branches parallel to street



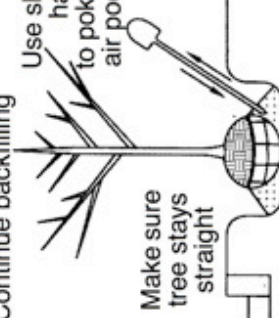
14
 Start backfilling
 Use 2x4s to straighten tree



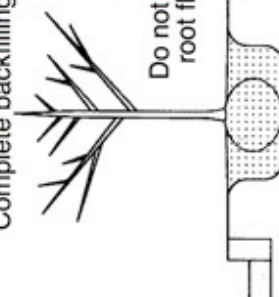
15
 Remove as much of basket and burlap as you can
 Use bolt cutters & utility knife



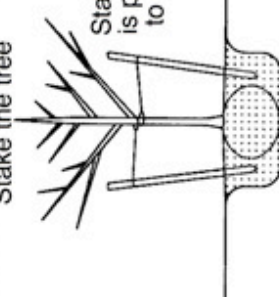
16
 Continue backfilling
 Use shovel handle to poke out air pockets
 Make sure tree stays straight



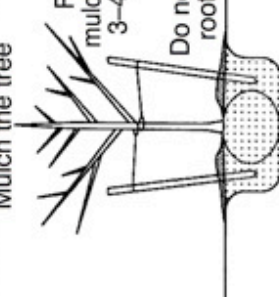
17
 Complete backfilling
 Do not bury root flare



18
 Stake the tree
 Stake line is parallel to street



19
 Mulch the tree
 Form mulch donut 3-4" thick
 Do not bury root flare



20
 Water the tree
 10 gallons weekly
 April-October

